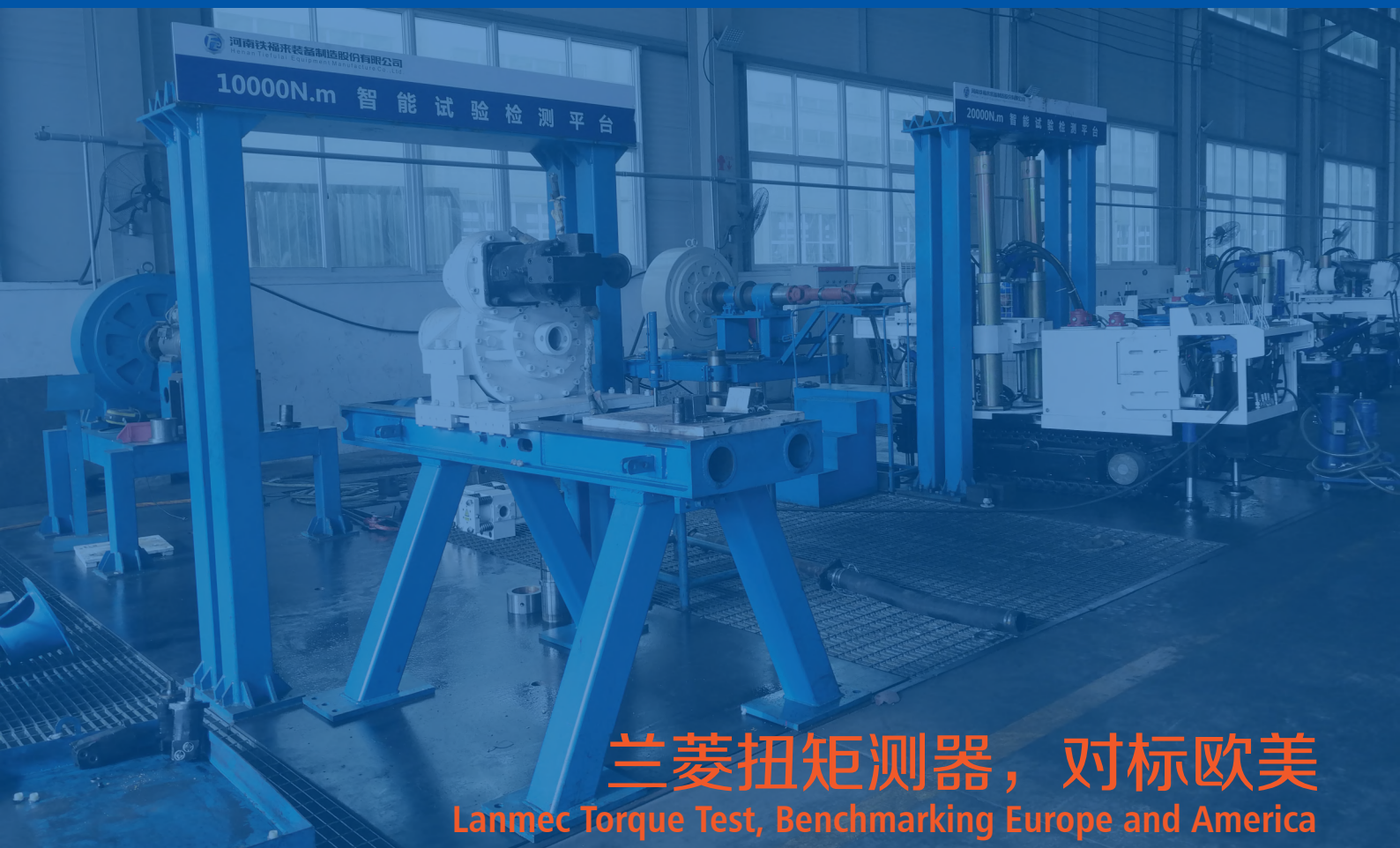




扭矩传感器 & 磁粉制动器 & 钻机测试台 & 钻杆测试台
Torque sensor / Magnetic powder brake / Rig test bench / Drill pipe test bench



兰菱扭矩测器，对标欧美
Lanmec Torque Test, Benchmarking Europe and America

江苏兰菱机电科技有限公司
Jiangsu Lanmec Electromechanical Technology Co., Ltd.

江苏（总部）

Jiangsu (Headquarters)

地址：江苏省海安市朝阳北路11号

Add: 11ChaoYang Road(N),Haian,Jiangsu,China

Tel: 0086-513-88801555 Fax: 0086-513-88801556

E-mail: lanmec@lanmec.com

上海（办事处）

Shanghai (Office)

地址：上海市安远路728号

Add: NO.728Anyuan Road,Shanghai City

Tel: 0086-21-52992939 Fax: 0086-21-52992539

北京（办事处）

Beijing (Office)

地址：北京市建国路126号瑞赛大厦15A层

Add: 15A Floor,Ruisai building,

126 Jianguo Road,Beijing

Tel: 0086-10-85082981 Fax: 0086-10-65670181

深圳（办事处）

Shenzhen (Office)

地址：深圳市南山区科技南十二路中国检验认证大厦1202

Add:1202, China Inspection and Certification Building, Keji South

12th Road, Nanshan District, Shenzhen

Tel: 0086-755-23029266 Fax: 0086-755-23029566

关于兰菱

About Lanmec

江苏兰菱机电科技有限公司创建于2002年，公司职工近200人，研发人员50多名。占地65亩，厂房30000平方米，研发大楼1栋。

公司是国家高新技术企业，江苏省研究生工作站。公司通过ISO9001、ISO14001、ISO45001体系认证,欧盟CE。

公司拥有江苏省扭矩测控技术研发中心、扭矩传感器事业部、测功设备事业部、张力事业部，从研发到铸造、精密加工、精密组装、仪表软件开发、设备调试服务形成全闭环，质量、交期、技术保障均得到最大保证。

强大的研发能力、大规模全产业链的制造能力、无忧及时的售后服务，均为公司赢得了大量的客户，遍及中国、美国、德国、意大利、日本、印度、泰国、马来西亚等国家，产品在世界知名大专院校、研究所、军工企业、工业企业中大量使用，享有较高的声誉。

公司总部位于中国江苏省海安市，高铁直达上海只需1小时，北京4小时。在深圳、上海、北京设有分公司，极大地方便了客户进行当面技术沟通和售后服务，热烈欢迎各位新老客户莅临指导，为兰菱科技实现更大、更远目标建言献策！

Lanmec Technology was founded in 2002 and has nearly 200 employees and more than 50 R&D personnel. It covers an area of 65 mu, with a workshop of 300 million square meters and a research and development building.

Lanmec Technology is a national high-tech enterprise, and a postgraduate workstation in Jiangsu Province. Lanmec Technology has passed ISO9001, ISO14001, ISO45001 system certification, EU CE.

Lanmec Technology has Jiangsu Province Torque Measurement and Control Technology R&D Center, Torque Sensor Division, Dynamometer Division, and Tension Division. From R&D to casting, precision machining, precision assembly, instrument software development, and equipment debugging services, it forms a fully closed loop with quality and delivery services. Both the period and the technical guarantee are guaranteed.

Strong research and development capabilities, large-scale manufacturing capabilities across the entire industry chain, and worry-free and timely after-sales service have won a large number of customers, covering China, United States, Germany, Italy, Japan, India, Thailand, Malaysia and other countries. It is widely used in world-renowned universities, colleges, research institutes, military enterprises and industrial enterprises, and enjoys a high reputation.

Lanmec Technology headquartered is in Hai'an City, Jiangsu Province, China. It only takes 1 hour to reach Shanghai by high-speed train and 4 hours to Beijing. There are branches in Shenzhen, Shanghai, and Beijing, which greatly facilitates customer's face-to-face technical communication and after-sales service. Warmly welcome all new and old customers to visit and guide, and provide advice and suggestions for Lanmec Technology to achieve greater and farther goals!



公司俯瞰
Company overlook



研发总部
R&D headquarters



生产现场一角
A corner of the production site



公司文化
Company Culture



知名客户 测功机行业领导者, 全球客户超10,000家
Leader in dynamometer, over 10,000 clients worldwide

中航工业 中国兵器工业集团有限公司 中船重工 中联重科 SANY GREE 徐工集团

清华大学 上海交通大学 中央民族大学 中南大学 华南理工大学 哈工大 电子科技大学 华中科技大学

Schindler ROSSI ABB ThyssenKrupp SIEMENS OTIS 奥的斯电梯

扭矩测量范围0.01~2000kN.m
转速测量范围0.01~100kRPM
测量精度±0.1%F.S ±0.2%F.S
供电DC24V、±DC15V
可输出电压、电流、频率信号，RS485通讯

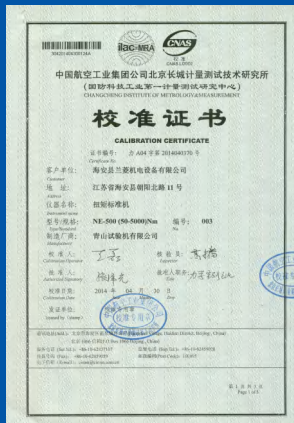
Torque measuring range 0.01~2000kN.m
Speed measurement range 0.01~100kRPM
Measurement accuracy ±0.1%F.S ±0.2%F.S
Power supply DC24V, ±DC15V
Can output voltage, current, frequency signal, RS485 communication



TR-3S 转矩转速功率采集仪
TR-3S torque speed power acquisition instrument

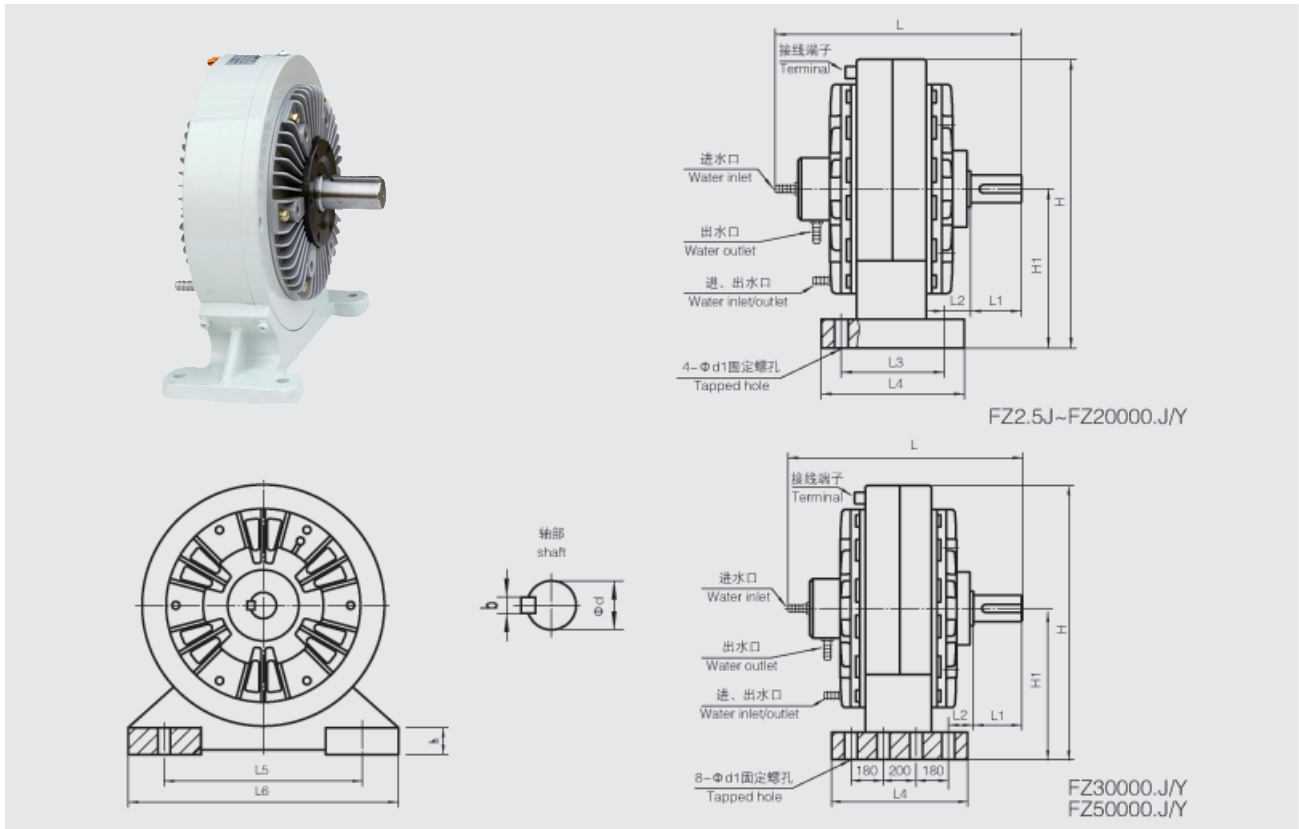


转矩转速功率测试软件
Torque speed power test software



FZ-J型 (轴联结、机座支撑) 磁粉制动器

FZ-J magnetic powder brake (shaft coupling / base support)



型号 Model	额定 转矩 (N.m) Rated torque	激磁线圈 DC Excitation coil		许用转速 (r/min) Allowable rotational speed	滑差 功率 (KW) Slip power	外形尺寸 Outline dimension		轴联结尺寸 Shaft coupling size				机座支撑尺寸 Base support size						冷却方式 Cooling mode	
		电压 (V) Voltage	电流 (A) Current			H	L	d (h7)	b (p7)	L1	L2	L3	L4	L5	L6	H1	d1		h
FZ2.5.J	2.5	24	0.4	1500	0.03	110	88	10	3	20	9	50	68	100	120	60	7	12	自冷 Self cooling
FZ5.J	5	24	0.5	1500	0.06	138	94	12	4	25	10	50	68	120	140	75	7	12	
FZ10.J	10	24	0.6	1500	0.12/0.8	166	103	14	5	25	7	60	85	120	150	90	10	12	
FZ25.J	25	24	0.8	1500	0.2/1.2	196	115	20	6	36	5	70	96	150	180	110	12	15	
FZ50.J	50	24	1.0	1500	0.3/2	240	140	25	8	42	11	80	105	180	210	130	12	16	
FZ100.J/Y	100	24	1.2	1500	3/5	284	249	30	8	58	11	100	130	250	290	155	12	18	单/双水冷 Single/double water cooling
FZ200.J/Y	200	24	1.8	1000	4/8	329	260	35	10	58	10	120	165	280	330	180	15	22	
FZ400.J/Y	400	24	2.5	1000	5/12	400	313	45	14	82	14	130	180	330	390	215	15	22	
FZ630.J/Y	630	36	2.5	750	15	441	374	60	18	105	20	150	210	410	480	240	19	30	双水冷 Double water cooling
FZ1000.J/Y	1000	36	2.5	750	20	523	417	70	20	105	35	160	210	470	540	280	19	35	
FZ1500.J/Y	1500	36	3.0	750	25	556	480	75	20	105	70	160	210	470	540	300	19	40	
FZ2000.J/Y	2000	36	3.0	500	30	619	486	80	22	130	56	170	240	580	660	330	24	40	
FZ5000.J/Y	5000	36	3.5	400	50	824	576	90	25	140	13	320	388	600	700	430	24	50	
FZ10000.J/Y	10000	36	4.0	300	65	1126	651	120	32	160	18	360	450	900	1030	600	28	88	
FZ20000.J/Y	20000	48	5.0	300	90	1205	916	140	36	180	45	480	560	950	1100	650	34	100	
FZ30000.J/Y	30000	90	5.0	300	132	1205	1271	160	40	200	194	见图	690	1050	1180	650	34	120	
FZ50000.J/Y	50000	90	5.0	250	160	1298	1965	180	45	250	549	见图	690	1050	1180	700	34	120	



知名客户

北京煤科院、河南铁福来、重庆平山、平煤天成、无锡安曼等



知名客户

平顶山羽佳矿用机械有限公司等

10k/20kN.m 钻杆测试台
10k/20kN.m Drill pipe test bench



知名客户

北京煤科院、江阴中煤、河北冀凯、石家庄中煤、六合煤机等

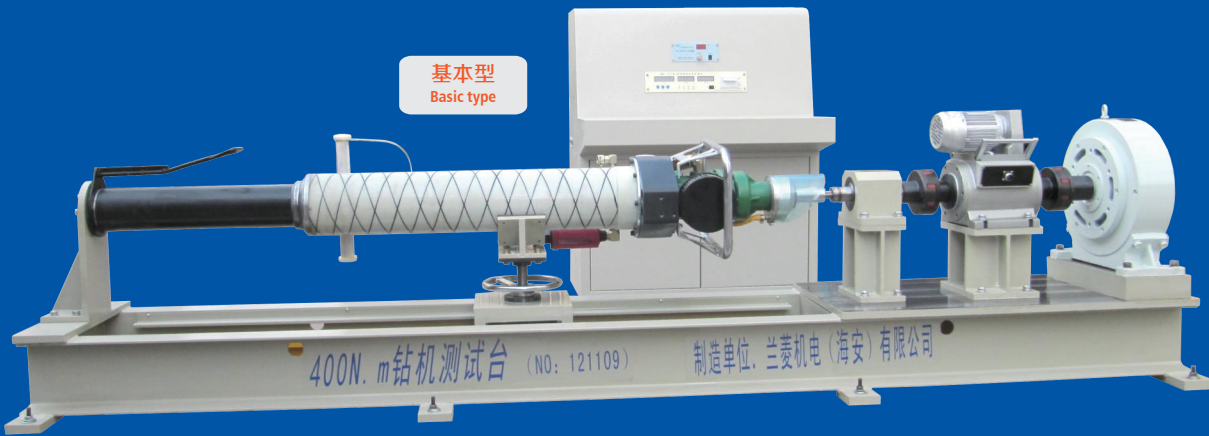




电脑型
Computer type



基本型
Basic type



知名客户

北京煤科院、江阴中煤、河北冀凯、江阴长力等

测试参数及界面 Test parameters and interface

